



禾瑞亞科技股份有限公司
eGalax_eMPIA Technology Inc.

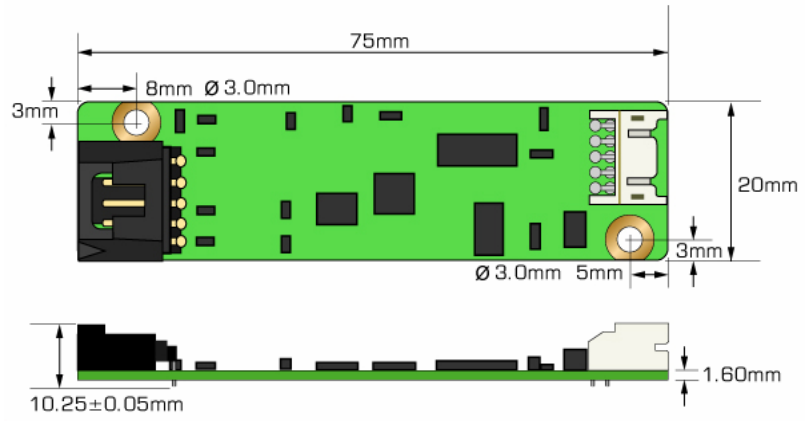
5-wire Touch Panel Controller

eGalax_eMPIA launched touch control board to meet latest Restriction of Hazardous Substances (RoHS) Directive. This touch panel controller provides the optimistic performance of your analog resistive touch panels for 5-wire models. It communicates with PC system directly through RS232 or USB connector. You can see how superior the design is in sensitivity、accuracy and friendly operation. The touch panel driver emulates mouse left and right button function and supports operation systems as following.

| OS | Version | Interfaces |
|----------------|--|---|
| Windows | Windows Vista, XP/2000, 9x/ME Windows CE 2.12/3.0/.net/5.0/6.0 Windows Embedded Windows XP Tablet PC edition Windows Vista | RS232/USB/ PS2 |
| Windows | Windows NT4 | RS232/PS2 |
| Linux | Mandrake (Mandrake 9.1/9.2/10, Mandriva 2005, Mandriva 2006), Red Hat (7.3/8.0/9.0), Fedora (Core I/II/III/IV/V/VI), Yellow Dog (3.X) , SuSE (9.2/9.3/10/10.1), Ubuntu (5.1/6.06), Debian (3.1, Kernel 2.4.x/2.6.x) | RS232/USB/ PS2 (up to Kernel 2.6.x) |
| DOS | DOS | RS232/PS2 |
| Mac | Mac OS, Mac OS X (IBM, intel CPU) | USB |
| QNX | QNX RTOS v6.3 | RS232 |

ETP-S5000CMGG-02

Controller:



ETP-S5000CMGG-02

Specifications:

5 Wire Type Controller

| | |
|-------------------------|---|
| Circuit Board Dimension | 20mm x 75mm (0.79inches x 2.95inches)----(5-Wire) |
| Power Requirements | D.C.+5V (Maximum 50mA, 50mV peak to peak maximum ripple and noise) |
| Operating Temperature | 0 to 50 °C |
| Storage Temperature | -40 to 80 °C |
| Relative Humidity | 95% at 60 °C |
| Interface | Bi-directional RS-232 serial communication USB: 1.1 Low Speed, 2.0 Full Speed |
| Protocol | No parity,8 data bits,1 stop bit,9600 baud(N,8,1,9600) |
| Resolution | 2048×2048 resolution |
| Report rate | RS232: Max. 200 points/sec USB: Max. 250 points/sec |
| Response time | Max. 20 ms |
| Attached Cable | RS232: 6' shielded cable with 9-pin D-sub connector USB: 6' shielded cable with USB-A connector for USB port |
| Regulatory Approvals | FCC-B , CE, Unaffected by EMI from other nearly CRTs and other display devices |
| EMI | Unaffected by environmental EMI |
| Panel resistance | 5 wire resistive model: 50 ~ 200 ohm |
| MTBF | 200,000 hrs |

ETP-S5000CMGG-02

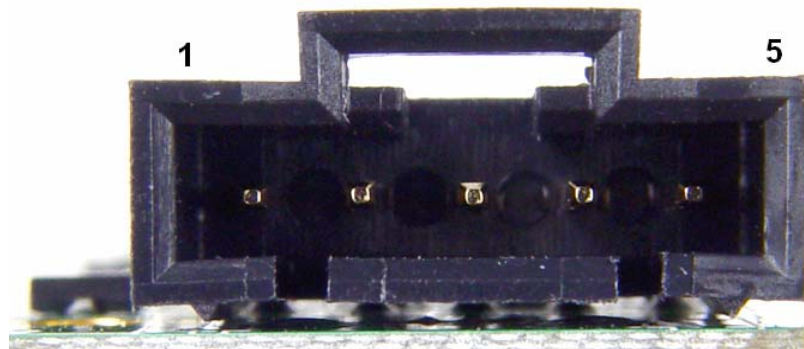
Product Package:

- (1) ETP-MB-S5000CMGG (5 wire control board)
- (2) ETP-CB-SXC00 (Y cable)
- (3) ETP-CB-SXR00 (RS232 cable) OR
ETP-CB-SXU00 (USB cable)
- (4) ETP-CB-5XN00 (5 pin Flat cable)

Controller Panel Pin Assignment:

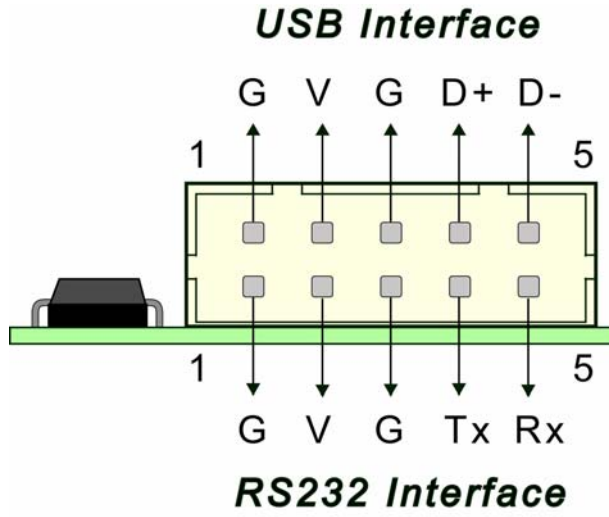
| |
|-----|
| LL |
| LR |
| COM |
| UR |
| UL |

| | | | | |
|----|----|-----|----|----|
| LL | LR | COM | UR | UL |
|----|----|-----|----|----|



ETP-S5000CMGG-02

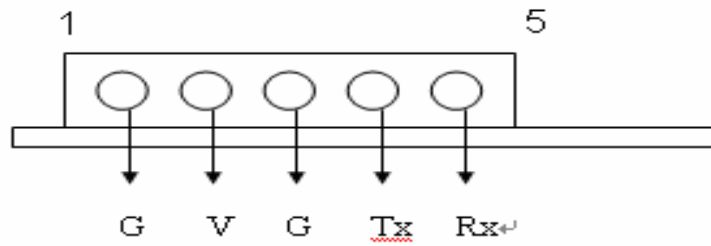
Controller Wafer Pin Assignment:



ETP-S5000CMGG-02

Controller Wafer Pin Assignment:

RS232 Interface



USB Interface

